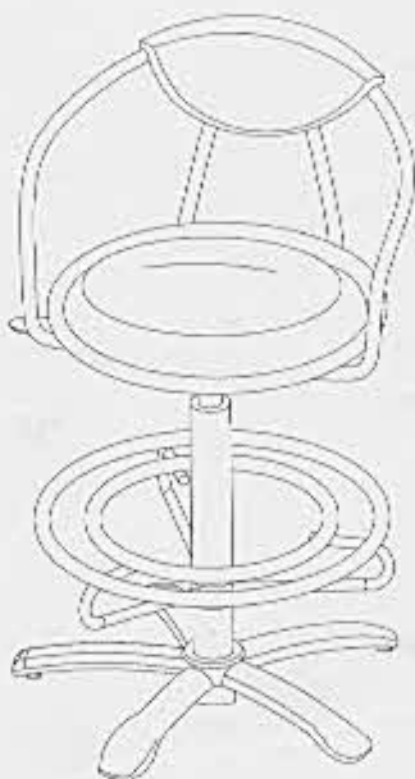



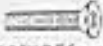


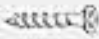



WE Walker
Edison
furniture company

CHJB02 ASSEMBLY INSTRUCTION



For our most up date instructions, to request missing, lost, or broken parts, or for any other Customer Service issues, please visit our website at www.walkerredison.com or call us at 877-207-5906.

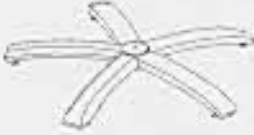







Hardware List

A		Feet	5 pcs
B	 1/4"×25(mm)	Bolts	4 pcs
C		Washer	4 pcs
D		Screw nut	4 pcs
E		Screw	4 pcs
F	 1/4"×35(mm)	Bolts	2 pcs
G		Hex Wrench	1 pc
H		Wrench	1 pc

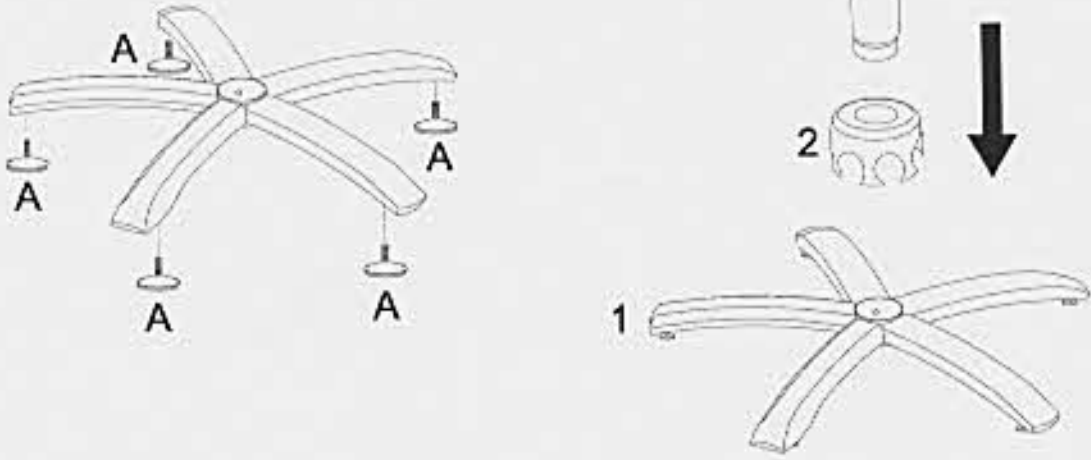


Philips head screwdriver required for assembly
(not included)

Component List

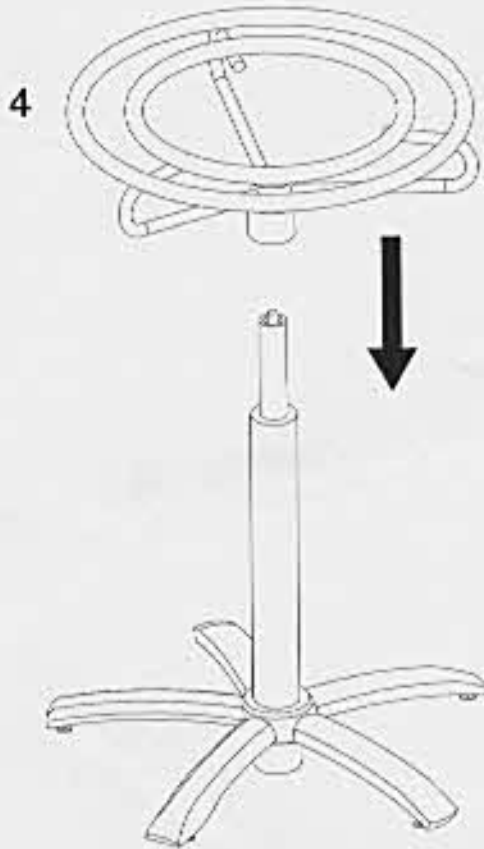
1		Leg	1 pc
2		Large Cap	1 pc
3		Rod	1 pc
4		Foot Rest	1 pc
5		Seat Frame	1 pc
6		Seat Mount	1 pc
7		Back Rest	1 pc
8		Seat Cushion	1 pc

Step 1



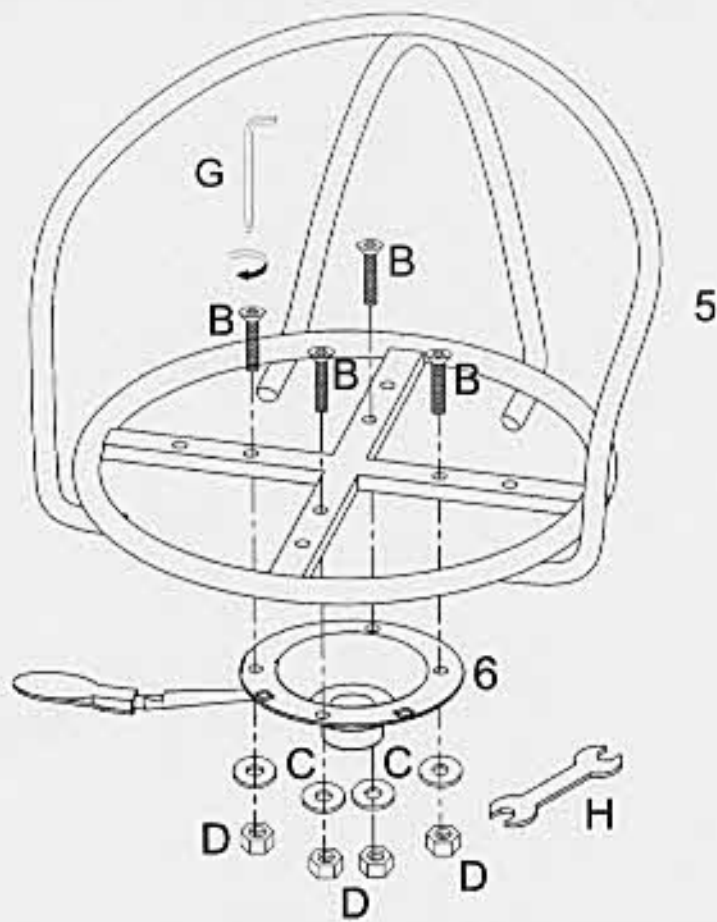
Screw feet (A) into legs (1).
Attach large cap (2) to legs (1), then push rod (3) securely into the legs.

Step 2



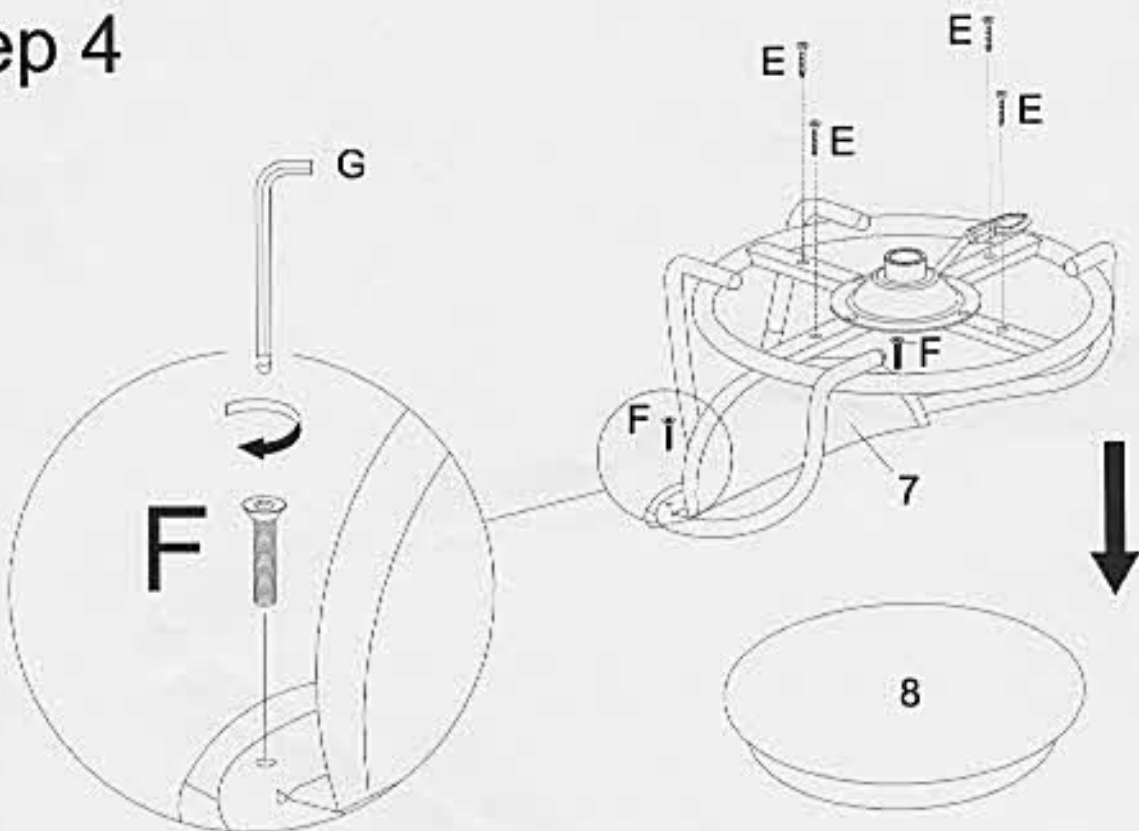
Slide foot rest (4) over the rod until the pieces fit together tightly.

Step 3



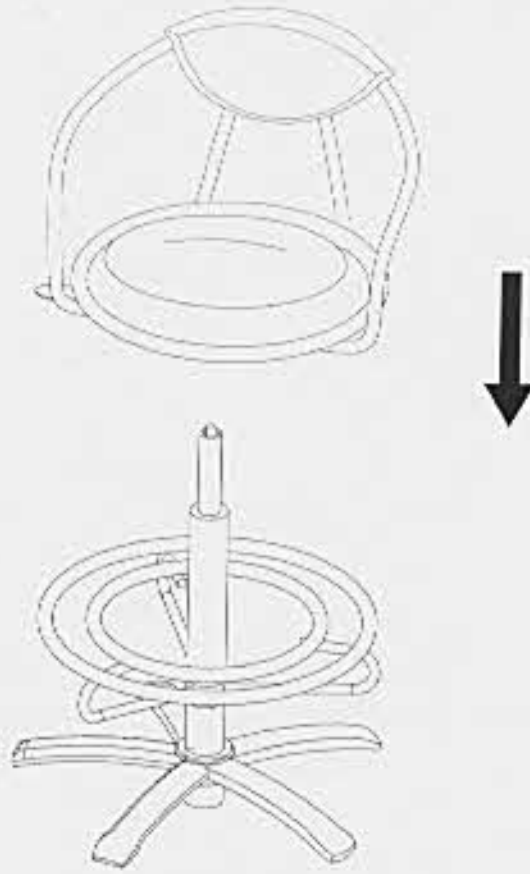
Attach seat mount (6) to seat frame (5) using bolts, washers, and nuts (B, C, D). Be sure to tighten firmly using provided wrenches (G and H).

Step 4



Attach back rest (7) to seat assembly using bolts (F).
Attach seat cushion (8) to seat assembly using screws (E). Tighten firmly.

Step 5



Attach seat assembly securely to base by placing the seat mount on the rod and pushing down firmly. The seat should "lock" into place.

Step 6



Final Assembly